

Service / Complaint

Serial number shock:		Shock:	
Name/ First Name:			
Address:			
Country:			
Phone/ Mobile:			
E-Mail:			

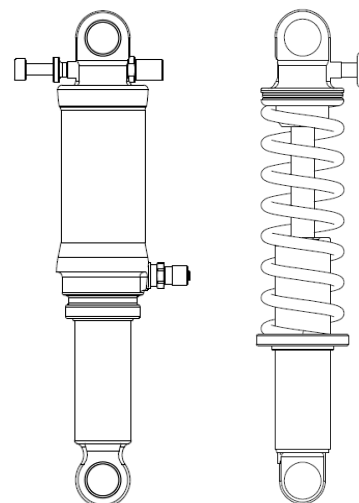
Service **Complaint**

Featured services are:

- assembling / disassembling
- changing all seals
- changing oil
- functional check

If we detect major defects, we will contact you, to discuss further proceeding. We will not do any repairs with further costs without your permission.

For highly soiled products we charge 20 € for extra.



Error description:

<input type="checkbox"/> noises	<input type="checkbox"/> travel adjust
<input type="checkbox"/> loses Air	<input type="checkbox"/> rebound
<input type="checkbox"/> play	<input type="checkbox"/> compression
<input type="checkbox"/> other	<input type="checkbox"/> Lockout

Complaint: Please give detailed information about errors and mark them in the drawing.

Service: Please give detailed information about the the condition

