



state of the art bike technology



ORDER FORM – REAR SHOCKS

Order fax: + 49 (0) 60 47 – 95 33 9-19

EMAIL: INFO@GERMAN-A.DE

Invoice- and delivery address:

Name of orderer: _____

Company: _____

Owner: _____

Address: _____

Phone / Fax: _____

Email: _____

Web: _____

Date /

Signature: _____

Shock type: AiR-force ZERO
 AiR-force PRION

Quantity: _____

According to figure:

① Length of shock: _____ mm

② Width of mounting bushing 1: _____ mm

④ Diameter of bolt 1: _____ mm

② Width of mounting bushing 2: _____ mm

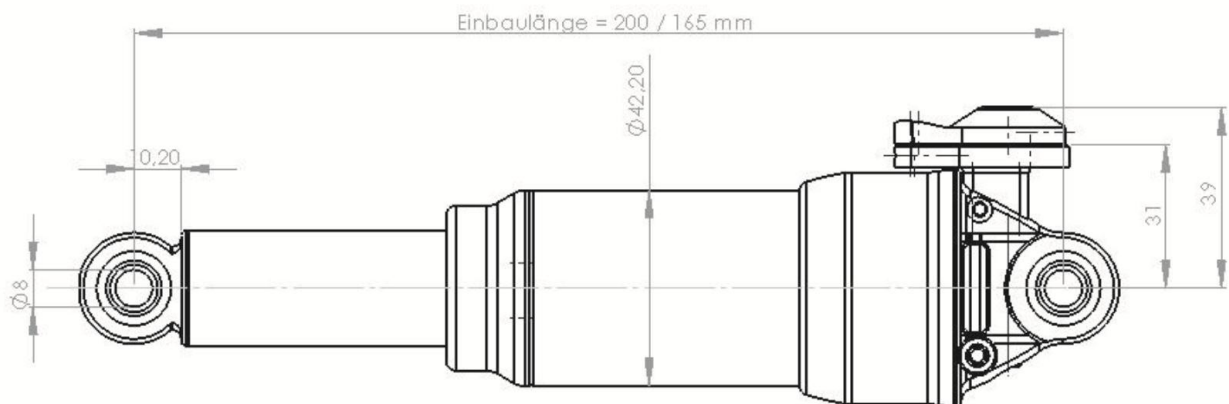
④ Diameter of bolt 2: _____ mm

Spherical bearing: Yes NO

(NO = standard / sliding bushing)

Payment terms: Cash
 In advance
 Cash on delivery
 Direct debit*
 (*national dealer only)

Figure: Explanations to a shock (picture differs from product)



- 1 Length of shock (see to figure up)
- 2 Width of mounting (both sides)
- 4 Diameter of bolt 6 or 8 mm

